

Distributed By:
Masterbuilt Manufacturing, Inc.
1 Masterbuilt Court
Columbus, Georgia 31907
Customer Service 1-800-489-1581

Other Automotive Accessories

Masterbuilt's range of Hitch-Haul® products can be accessorized to suit your own individual needs.

HITCH-HAUL® Triple Bike Rack

Masterbuilt Hitch-Haul® products may be accessorized to suit your own individual needs. By adding the bike rack to your Hitch-Haul® cargo platform, you can transport up to three bikes. It will fit bicycles of any size.



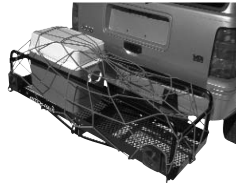
HITCH-HAUL® Side Extension Kit

This accessory for the Hitch-Haul® helps you carry your load with added security of side rails. Used with the Hitch-Web, it is perfect for those smaller items you may want to haul.



HITCH-HAUL® Web and Tail Light Kit

These two accessories, sold separately, round out your Masterbuilt Hitch-Haul® for those camping, vacation or even short trips. Your load will be safe and secure during your journey.



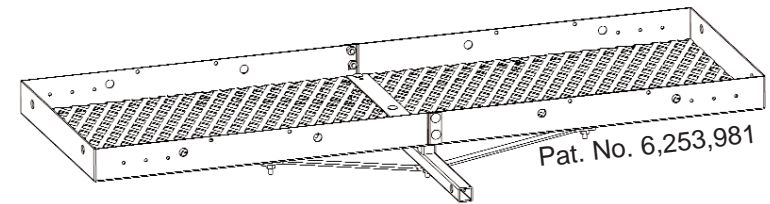
For more information about these and Masterbuilt's entire product range, visit Our Web Site @ www.masterbuilt.com



HITCH-HAUL® CARGO CARRIER OPERATION MANUAL & SAFETY INSTRUCTIONS

MODEL: HP2, HP125, HP248, H2A, H125A, HP2W, 30110208

Manual Code: 988050007 071116



Tools needed for assembly: 2 Adjustable Wrenches



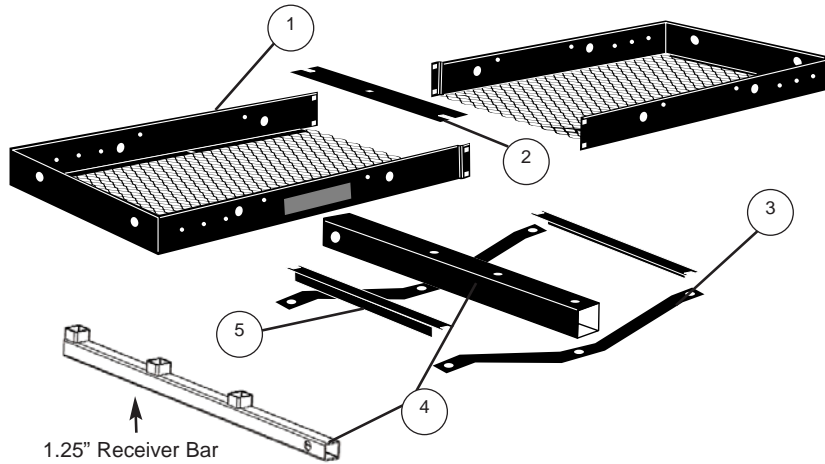
WARNING



- Never exceed receiver hitch's tongue weight rating.
- Distribute weight evenly on platform.
- Use extreme caution when transporting live animals (in approved carriers); exhaust fumes may be fatal.
- The Hitch-Haul® is not intended for transporting humans.
- Do not carry loads wider or deeper than Hitch-Haul®.
- Do not carry flammable items on Hitch-Haul®.
- Hitch-Haul® accessory tail light kit must be used when loads cover vehicle's tail lights.
- Do not allow exhaust fumes to blow directly on items. This is a FIRE HAZARD. See "IMPORTANT NOTICE".
- Masterbuilt is not responsible for any damage if warnings are not heeded.

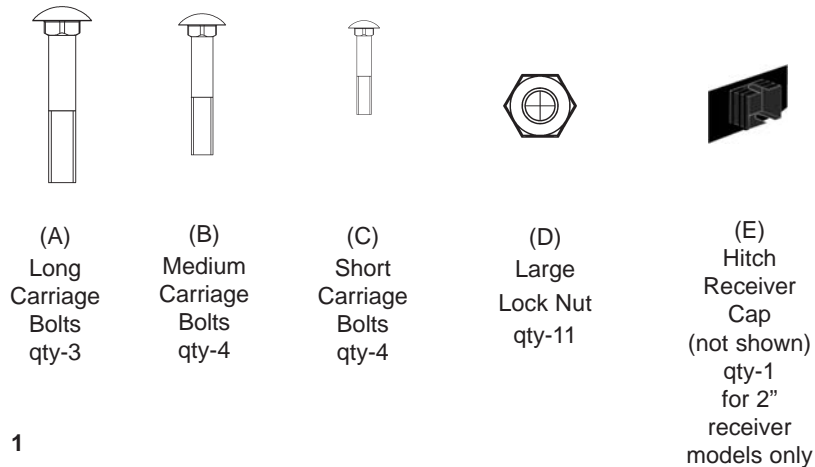
DO NOT LOAD SCOOTERS OR MOTORCYCLES ON HITCH-HAUL®

PARTS LIST



ITEM NO.	QUANTITY	DESCRIPTION
1	2	Platform Halves
2	1	Tie Plate
3	2	Support Bridges
4	1	Receiver Bar-2" or 1.25" depending on model
5	2	Channel braces - Models H2A, H125A, HP2W

HARDWARE LIST



LIMITED WARRANTY

MASTERBUILT Mfg., Inc. warrants all parts of this HITCH-HAUL® Cargo Carrier product to be free from defects in material and workmanship for 90 days from date of purchase. Within this period, MASTERBUILT Mfg., Inc. shall correct any defect by repairing or replacing defective parts of the equipment, or making available parts thereof, FOB Columbus, GA.

MASTERBUILT Mfg., Inc. shall not be obligated to repair or replace equipment which has been repaired by others, abused, altered or misused. We further state that we shall not be held liable for any losses due to neglectful use on the part of the operator. Upon expiration of such warranty, all liability shall terminate. No other warranties are expressed or implied.

NOTE: Paint finish will scratch and chip under normal use, and therefore carries no warranty.

COMPLETE & RETURN TO

ATTN: WARRANTY REGISTRATION

Masterbuilt Manufacturing, Inc.
1 Masterbuilt Court • Columbus, GA 31907

Name: _____

Address: _____

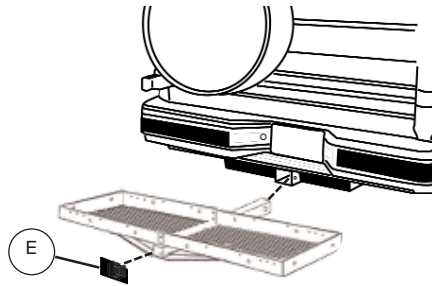
City, State/Province, Postal Code: _____

Phone Number: _____ E-Mail Address: _____

Model Number: _____ Serial Number: _____

Purchase Date: _____ Place of Purchase: _____

ASSEMBLY INSTRUCTIONS



VEHICLE ASSEMBLY

STEP 4.

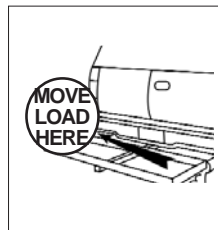
Note: Clevis pin and receiver hitch not included. Install platform to your vehicle by sliding receiver tube into vehicle receiver hitch. Clevis pin must slide through receiver hitch and receiver tube hole at the same time to secure Hitch-Haul properly. Place safety clip through clevis pin.

STEP 4a.

Align plastic receiver cap (E) with open end of receiver bar that faces away from vehicle. With even pressure, push cap into opening.

IMPORTANT NOTICE:

If exhaust fumes blow directly onto cargo carrier, position load away from exhaust. An extension or lift kit may be required to do so. Call 1-800-489-1591 or visit us at www.masterbuilt.com.



REPLACEMENT PARTS LIST

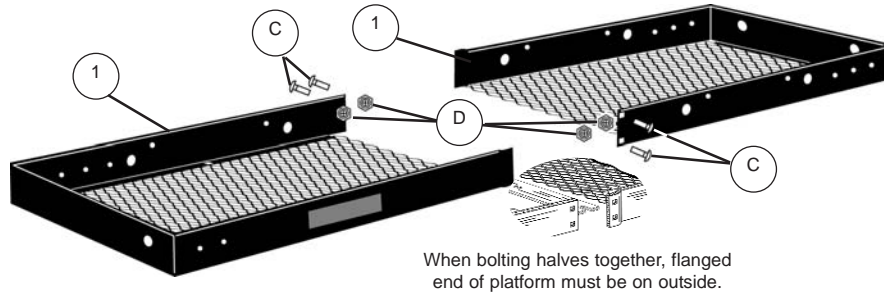
ITEM NO.	DESCRIPTION
990050033	Platform Half Kit-Black(HP2, HP125, 30110208)
990050045	Platform Half Kit-Black-Wide Platform (HP2W)
990050046	Platform Half Kit-Black 24" Platform (HP248)
990050039	Platform Half Kit-Aluminum(H2A, H125A)
990050056	Tie Plate Kit-Black (HP2W)
990050034	Tie Plate Kit-Black (HP2, HP125, HP248, 30110208)
990050040	Tie Plate Kit (H2A, H125A)
990050035	Bridge Support Kit-Black (HP2, HP125, HP2W, HP248, 30110208)
990050041	Bridge Support Kit (H2A, H125A)
990050036	Channel Brace Kit-Black (HP2W)
990050042	Channel Brace Kit (H2A, H125A)
990050037	2" Receiver Bar-Black (HP2, HP248, 30110208)
990050057	2" Receiver Bar-Black (HP2W)
990050043	2" Receiver Bar (H2A)
990050038	1.25" Receiver Bar-Black (HP125, 30110208)
990050044	1.25" Receiver Bar (H125A)
952050005	2" Receiver Cap (HP2, HP2W, HP248, H2A, 30110208)
998050011	Hardware Bag (All Models)
988050007	Instruction Manual (All Models)

STOP!

DO NOT RETURN TO RETAILER
For Assembly Assistance, Missing or Damaged Parts
Call: MASTERBUILT Customer Service at 1-800-489-1581

ASSEMBLY INSTRUCTIONS

Note: Channel Braces not needed for model#s HP2, HP125

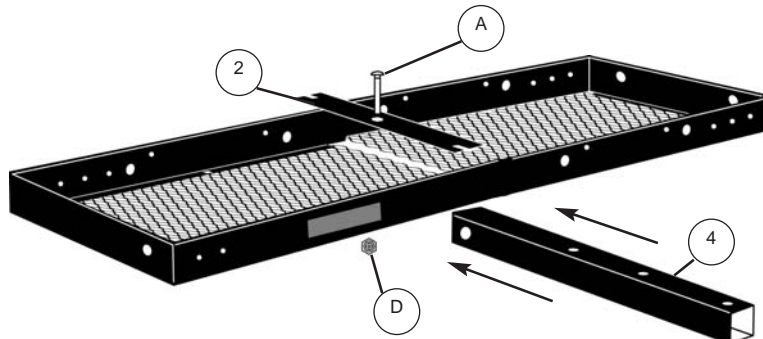


PLATFORM ASSEMBLY

STEP 1.

Note: Do not tighten bolts until STEP 3.

Bring both halves of the platform (1) together. Align platform angle side holes and connect with a short carriage bolt (C) and lock nut (D).



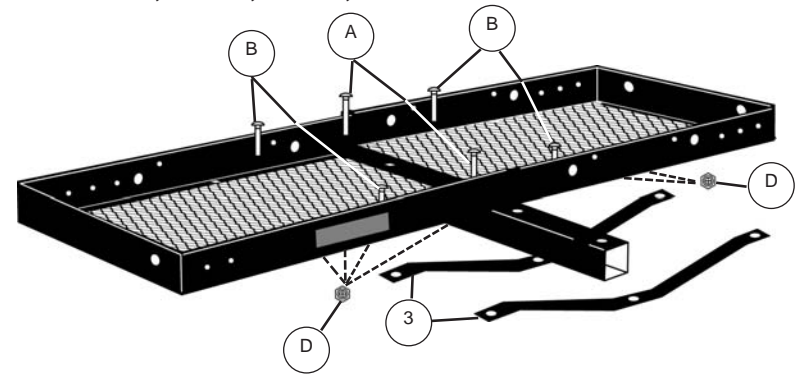
TIE PLATE ASSEMBLY

STEP 2.

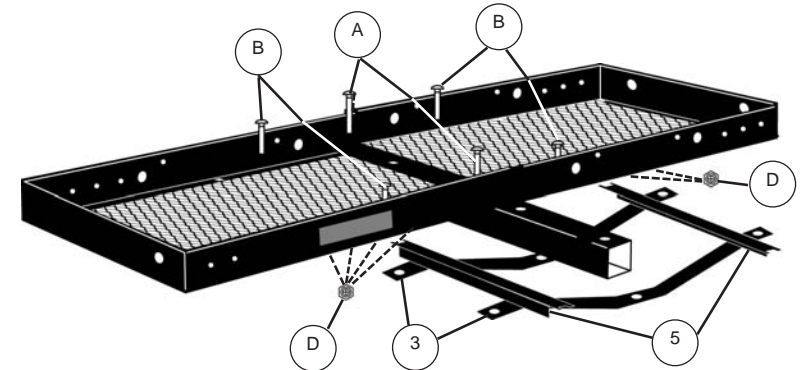
Place tie plate (2) in the middle top of the platform, aligning the holes with the platform. Take the long carriage bolt (A) and put it through center hole of tie plate. Add 2" receiver bar tube (4) or 1 1/4" depending on receiver size. Next, place carriage bolt (A) through center hole and secure with locking nut (D).

ASSEMBLY INSTRUCTIONS

Model#s HP2, HP125, HP248, 30110208



Model#s H2A, H125A, HP2W



TIE PLATE AND BRIDGE SUPPORT ASSEMBLY

STEP 3.

Note: Some models have channel braces (5), secure them between bridge support and platform.

Place long carriage bolts (A) on each end of tie plate and receiver bar tube. Place bridge support (3) on each outer carriage bolt and secure with nut (D). Each end of bridge support will then be mounted to platform using remaining four medium carriage bolts (B) and lock nuts (D).

Tighten all bolts and nuts at this time.