

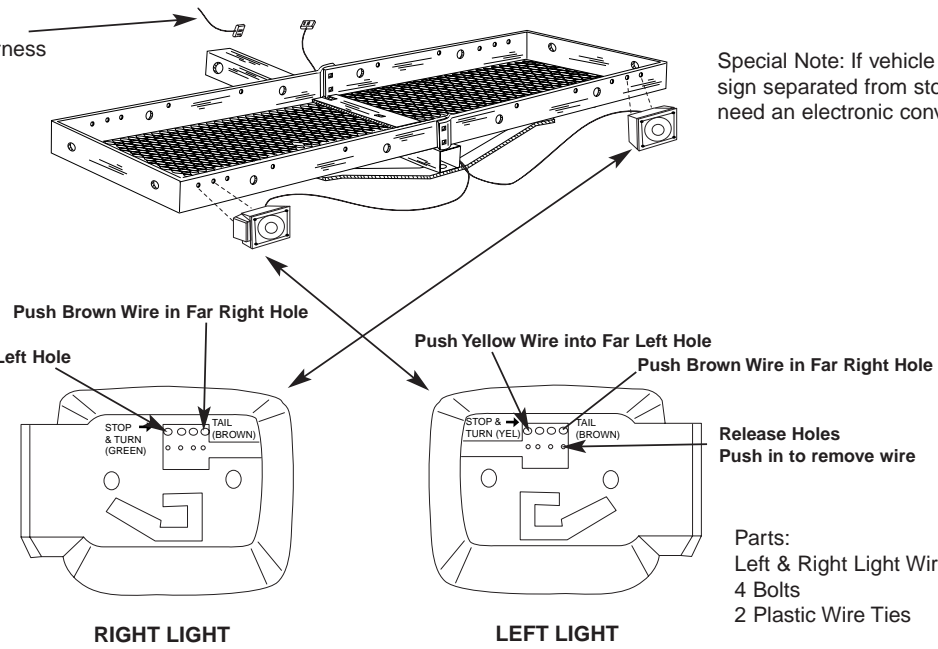
HITCH-HAUL® Light Kit Instructions

Note: You supply connecting harness from vehicle

Special Note: If vehicle has rear turn sign separated from stop lights, you will need an electronic converter (#5403)

Steps:

1. Strip plastic cover from wiring harness back 1/2" and separate each wire about 4".
2. Push wire into holes on the back side of lights (as shown) below.
3. Mount lights to HITCH-HAUL® as shown and secure with bolts.
4. Run wiring harness along side receiver bar and secure with wire ties.
5. Plug harness into your connection and TEST.



- Parts:
- Left & Right Light Wiring Harness
 - 4 Bolts
 - 2 Plastic Wire Ties

MASTERBUILT Mfg. Inc. 450 Brown Ave Columbus, GA 31906 Info Line (706) 327-5622 Ask for Customer Service