

Instructions continued...

- Place bike on carrier and adjust the tire support brackets by sliding them firmly against the front and back tires and secure with small bolts. Tightly wrap the tie strap around the square tubing and loop it through the tire. Wrap the tie strap from the stabilizing bar and tighten it around the bike frame.

Step 10



MASTERBUILT MFG. Inc. PRODUCT WARRANTY

MASTERBUILT Mfg., Inc. warrants all parts of this HITCH-HAUL® Town & Country Bike Carrier product to be free from defects in material and workmanship within one year from the date of purchase. Within this period, MASTERBUILT Mfg., Inc. shall correct any defect by repairing or replacing defective parts of the equipment, or making available the parts thereof. MASTERBUILT Mfg., Inc. shall not be obligated to repair or replace equipment which has been repaired by others, abused, altered, or misused. We further state that we shall not be held liable for any losses due to neglectful use on the part of the operator. Upon the expiration of such warranty, all liability shall terminate. No other warranties are expressed or implied.

NOTE: Paint finish will scratch and chip under normal use, and therefore carries no warranty.

To validate your warranty, please complete Warranty Information and return to Masterbuilt Mfg. Inc. within 30 days of the date of purchase.

Visit Our Web Site @ www.masterbuilt.com

- Name _____
- Address _____
City _____ State _____ Zip Code _____
- Dealer's Name/Location _____
- Date of Purchase _____
- Model # _____

450 Brown Avenue Columbus, GA 31906
(706) 327-5622 • Fax (706) 327-5632 • (800) 489-1581

MASTERBUILT

HITCH-HAUL® Town & Country Bike Carrier
Owner's Manual
Assembly and Operating Instructions
WARNING AND SAFETY INFORMATION



Model # **HEDB2**

TOOLS REQUIRED
7/16", 9/16" and 1/2" Wrench or Socket



WARNINGS

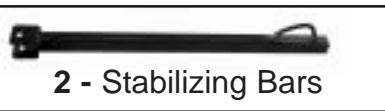
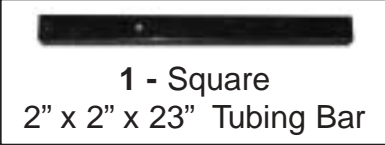
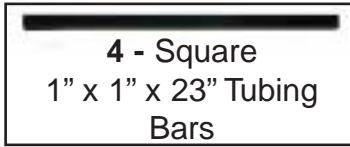
- Never exceed receiver hitch manufacturer's tongue weight rating.
- The HITCH-HAUL® Town & Country Bike Carrier is not intended for transporting humans.
- Do not carry flammable items on the HITCH-HAUL® Town & Country Bike Carrier.
- All bikes **MUST** be tied down with straps.
- Check all hardware connections (nuts & bolts) before each use.
- For added security, use a locking bike chain.

For more product information or to place orders, Call 1-800-489-1581, EXT 101; or Write to: Masterbuilt • ATTN: Mail Order Department • 450 Brown Avenue • Columbus, GA 31906

Rev. 12/01 Cat #:HEDB2

PARTS LIST - HEDB2

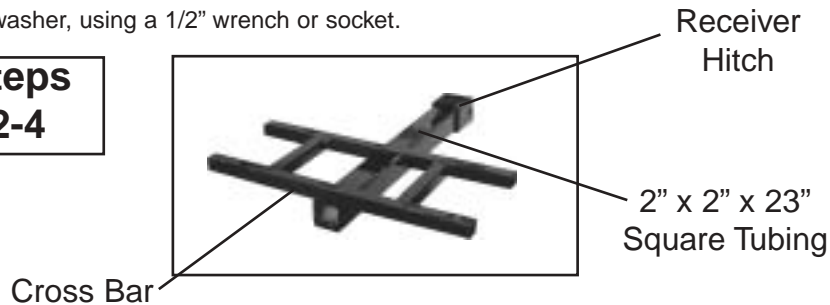
 <p>2 Large Size 3 1/2" Carriage Bolts, Nuts, Washers</p>	 <p>8 Medium Size 2 1/2" Carriage Bolts, Nuts, Washers</p>	 <p>6 Small Size 1 1/2" Carriage Bolts, Nuts, Washers</p>
--	---	--



Assembly Instructions for Town & Country Bike Carrier (Read Instructions and Follow Diagram)

- To begin assembly, place the 14 plastic end caps into the open ends of the square tubing.
- Slide the 2" x 2" x 23" square tubing into the receiver hitch of your vehicle with the smaller holes on the top and bottom.
- Place the cross bar on top of the 2" x 2" x 23" square tubing with the square bolt holes facing up and round holes facing down.
- Align the 2 parts using the center holes of the cross bar and secure with large bolt, nut and washer, using a 1/2" wrench or socket.

**Steps
2-4**



- Align all four 1" x 1" x 23" square tubes underneath the four ends of the cross bar and secure with medium bolts, nuts and washers using a 9/16 wrench or socket.

**Step
5**

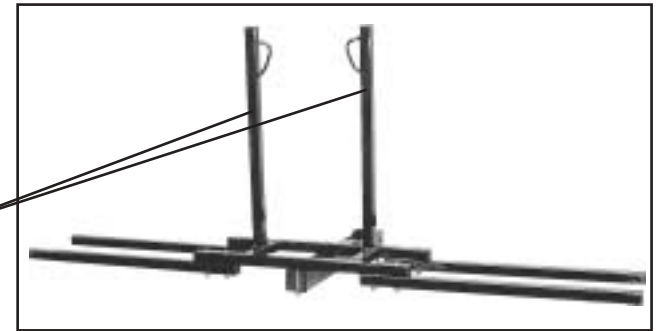
1" x 1" x 23"
Square Tubing



- Place each stabilizing arm on each of the short arms of the cross bar. Secure with medium bolts. Exact position will be determined by the size of the bike.

**Step
6**

Stabilizing
Arms

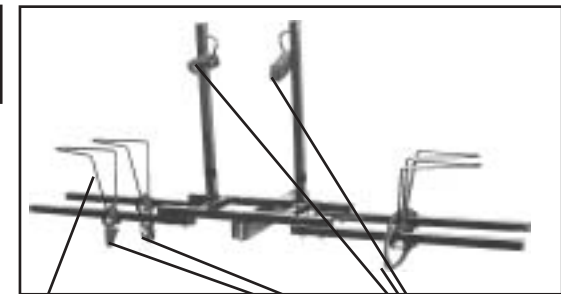


- Place each of the tire support brackets onto each of the 1" x 1" x 23" square tubing bars.
- Secure each tire support bracket by inserting a small bolts, nuts and washers.
- Attach two of the straps through the loops of the stabilizing arms. Attach the other four straps to the tube where your bike's back and front tires will be placed.

**Steps
7-9**

Tire Support
Brackets

Tie Straps



Turn Page 