



Send warranty information in an envelope to:
 MASTERBUILT Mfg., Inc.
 Attn: Warranty Dept.,
 450 Brown Avenue,
 Columbus, GA 31906

— WARRANTY —

MASTERBUILT Mfg., Inc. warrants all parts of this HITCH-HAUL® Bike Carrier product to be free from defects in material and workmanship within one year from the date of purchase. Within this period, MASTERBUILT Mfg., Inc. shall correct any defect by repairing or replacing defective parts of the equipment or making available the parts thereof, FOB Columbus, GA.

MASTERBUILT Mfg., Inc. shall not be obligated to repair or replace equipment which has been repaired by others, abused, altered or misused. We further state that we shall not be held liable for any losses due to neglectful operation on the part of the operator. Upon the expiration of such warranty, all liability shall terminate. No other warranties are expressed or implied.

NOTE: *Paint finish will scratch and chip under normal use, and therefore carries no warranty.*

I am interested in receiving more information about other **Masterbuilt** products and accessories. Please send me a mail order catalog.
(Make sure address on warranty information is correct.)

I would also like to send a catalog to a FRIEND:

Name: _____
 Address: _____
 City: _____
 State: _____ Zip Code: _____

Clip and mail to:

MASTERBUILT Manufacturing, Inc.
 Attn: Warranty Dept.
 450 Brown Avenue
 Columbus, GA 31906

08/27/99

MASTERBUILT

HITCH-HAUL® Bike Carrier OWNER'S MANUAL
 ASSEMBLY AND OPERATING INSTRUCTIONS
 WARNING AND SAFETY INFORMATION



Parts List and Assembly Instructions for Models:
 HBD2 Double Bike Carrier 2" Receiver Bar
 HBD125 Double Bike Carrier 1-1/4" Receiver Bar



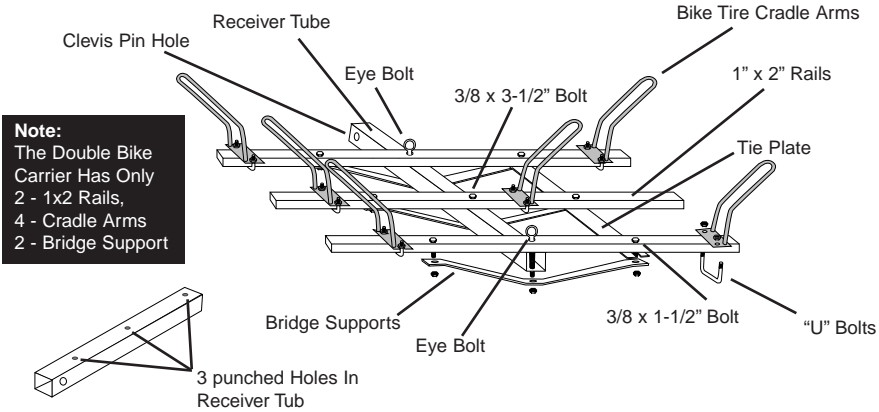
Parts List and Assembly Instructions for Models:
 HBT2 Triple Bike Carrier 2" Receiver Bar
 HBT125 Triple Bike Carrier 1-1/4" Receiver Bar



WARNINGS

- Never exceed receiver hitch manufacturer's tongue weight rating.
- The HITCH-HAUL® Bike Carrier is not intended for transporting humans.
- Do not carry loads wider or deeper than the HITCH-HAUL® Bike Carrier.
- Do not carry flammable items on the HITCH-HAUL® Bike Carrier.
- All bikes **MUST** be tied down with strap.
- Check all hardware connections (nuts & bolts) before each use.
- The HITCH-HAUL® Bike Carrier is designed to carry all bikes or small motor bikes where the wheels fit inside the cradle arms.
- For added security, use a locking bike chain.

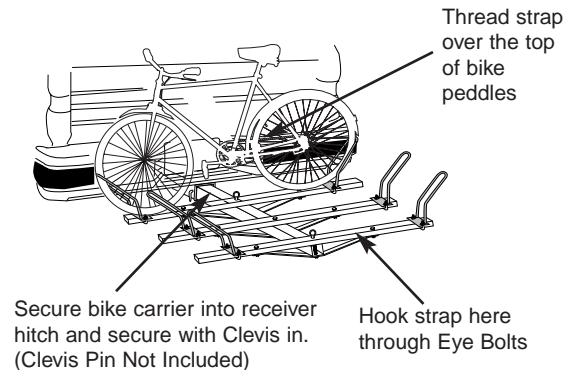
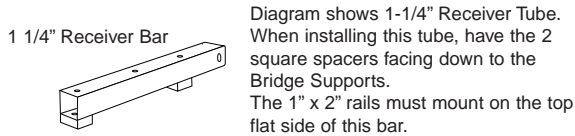
ASSEMBLY INSTRUCTIONS



Note:
The Double Bike Carrier Has Only
2 - 1x2 Rails,
4 - Cradle Arms
2 - Bridge Support

How To Assemble:

1. Align each center hole of the 1x2 rails with the punched holes in the top of the Receiver Tube. Align the center hole of each Bridge Support with the bottom of the Receiver Tube. The inside and outside 1x2 rails will be secured with Eye Bolts and nuts. **(For Triple Bike Carrier only:** secure the center hole on the center rail with one 3/8 x 3-1/2" bolt and nut.)
Note: If you purchased the Double Bike Carrier, there will be an extra hole in the center of the Receiver Tube and possibly extra hardware.
2. Then place one end of the Tie Plate between the 1x2 rail and Bridge Support. Align with the punched hole in the 1x2 rail and secure with one of the 3/8 x 1-1/2" bolts and nut.
3. Now place the other end of the Tie Plate between the 1x2 rail and Bridge Support and secure tightly with another 3/8 x 1-1/2" bolt and nut. Ensure all bolts are secured tightly.
(For the Triple Bike Carrier only: with both ends secured already, align the outside hole of the 1x2 rail with the Tie Plate and Bridge Support and secure with another 3/8 x 1-1/2" bolt and nut.) Note that only one (1) Tie Plate is shipped with the Double or Triple Bike Carrier. (The Tie Plate is used to stabilize the 1x2 rails.)
4. Secure the opposite end of each of the 1x2 rails to the Bridge Support, using the 3/8 x 1-1/2" bolts and nuts.
5. Each Bike Tire Cradle Arm will rest on top of each end of the rails. Place the "U" Bolt under the rail through the holes in Bike Tire Cradle Arms and secure tightly with nuts. (Adjust each set of cradle arms according to the size of each bike.)



- * For best fit, stagger bikes.
- * Bike placement will depend on the size and style of bikes.
- * When adjusting the Bike Tire Cradle Arms, place one tire snug into arm and slide the other arm up tight and tighten bolts.
- * Bike Tire Cradle Arm placement will depend on bike size.

PARTS LIST For Double and Triple Carrier

Double Carrier Parts List:

- 4 - "U" Bolts and Nuts
- 4 - 3/8" x 1-1/2" Hex Head Bolts
- 2 - Eye Bolts
- 6 - 3/8" Lock Nuts

Triple Carrier Parts List:

- 6 - "U" Bolts and Nuts
- 6 - 3/8" x 1-1/2" Hex Head Bolts
- 2 - Eye Bolts
- 1 - 3/8 x 3-1/2" Hex Head Bolt
- 9 - 3/8" Lock Nuts

4 - Bike Tire Cradle Arms

- 2 - 1"x 2" Cross Rails
- 1 - Tie Plate
- 2 - Bridge Supports
- 1 - 2" or 1-1/4" Receiver Tube
- 1 - Tie Down Strap

6 - Bike Tire Cradle Arms

- 3 - 1"x 2" Cross Rails
- 1 - Tie Plate
- 3 - Bridge Supports
- 1 - 2" or 1-1/4" Receiver Tube
- 1 - Tie Down Strap

TOOLS NEEDED

1 - 9/16" Wrench - 1 - 5/16" Wrench

For HITCH-HAUL® Accessories, including the extra Bike Tire Crade set to expand to the Tripe Carrier,
Visit Our Web Site @ www.masterbuilt.com

For more product information or to place orders, Call 1-800-489-1581, EXT 101;
or

Write to: Masterbuilt Mfg., Inc. • ATTN: Mail Order Department •
450 Brown Avenue • Columbus, GA 31906

HITCH-HAUL® WARRANTY INFORMATION

To validate your warranty, please fill out and return this card within 30 days of the date of purchase.

Name _____
Address _____
City _____ State _____ Zip _____
Dealer Name _____ Location _____
Date of Purchase _____ Package Model # _____

Reasons for purchasing your HITCH-HAUL®? (Circle appropriate response)

a. Durability	e. Received as a Gift	i. Other
b. Warranty	f. Masterbuilt Reputation	
c. Special Offer	g. Value for Price	
d. Special Features	h. Experience with Masterbuilt products	

How many products of this type do you currently own? _____
Where have you read or heard about our products? (Circle appropriate response)

a. Store Display	d. Television Advertisement	g. Internet
b. Magazine Advertisement	e. Personal Recommendation	h. Other
c. Newspaper Advertisement	f. Salesperson's Recommendation	

Date of your birth ____/____/____
Education: (Check one)

a. High School	c. Completed College
b. Some College	d. Graduate School

Which best describes your family income? (Check one)

a. Under \$15,000	c. \$25,000-\$49,999	e. \$75,000-\$100,000
b. \$15,000-\$24,999	d. \$50,000-\$74,999	f. Over \$100,000