

23012411 Indoor ETF2XLC Quick Start Guide



1. Clean all components of unit prior to use with damp cloth or sponge and a mild detergent. Dry thoroughly.
**Do not place control panel or cord under running water.*
2. Assemble unit (See Fig. A), or reference page 3 of the manual.
3. Slide control panel and element down onto mounting bracket (Fig. B) on side of outer shell.
4. Insert hinge tab on lid into outer shell. Lid will snap into place. (Fig. C)
5. Insert breakaway cord into connection, making sure "This Side Up" text on breakaway cord is facing upward. Orange power light will illuminate. (Fig. D)
6. Add oil or water to MIN or MAX fill line and plug power cord into outlet.
**Fill to MAX fill line when frying turkey.*
7. Turn dial to set desired temperature. Green ready light will illuminate when unit has reached set temperature and is ready for use. (Fig. E)
8. Push timer button and release at desired time to start timer.
9. Unit is ready for use. See page 6 of manual for cooking instructions.
**Frozen turkeys to be used for deep frying must be thoroughly defrosted.
Accommodates turkeys up to 20 lbs.*

Fig. A

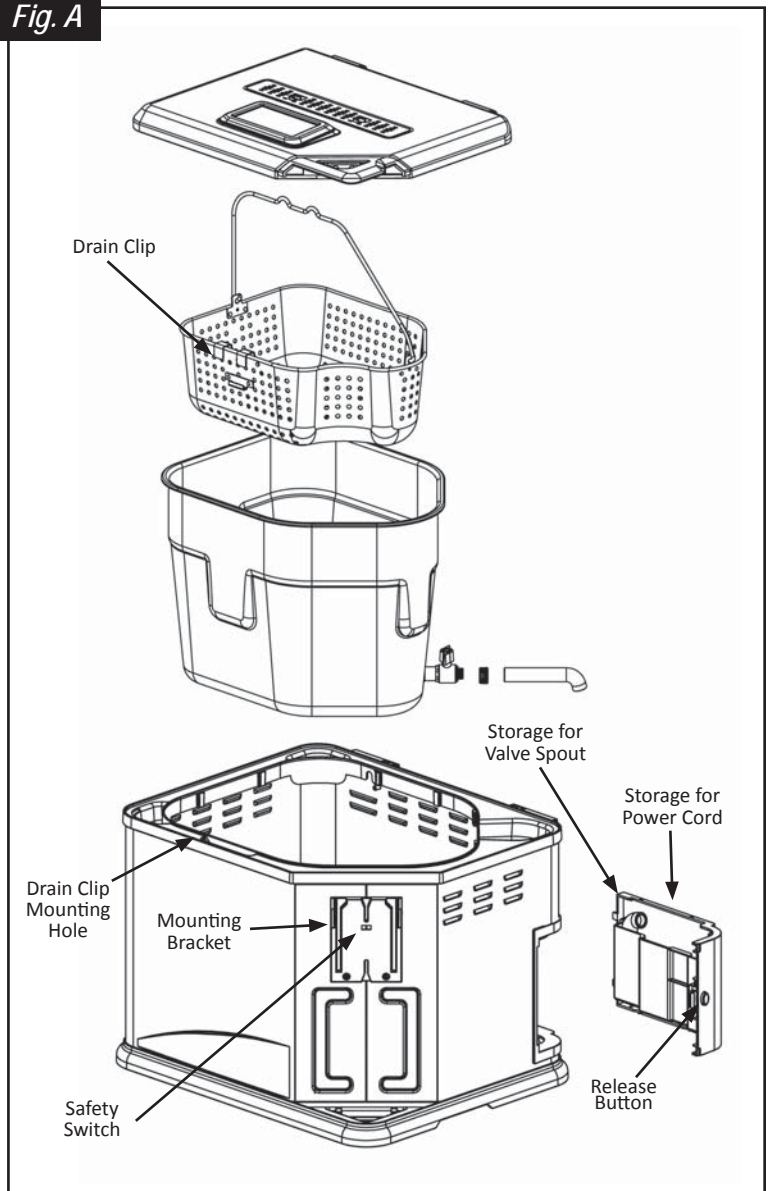


Fig. B

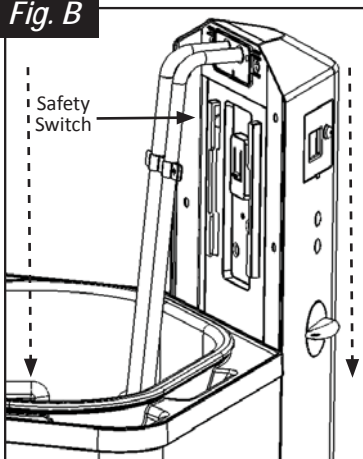


Fig. C

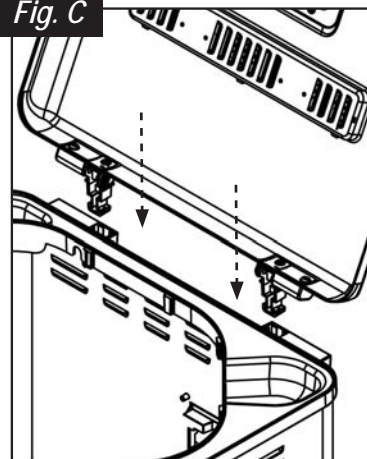


Fig. D

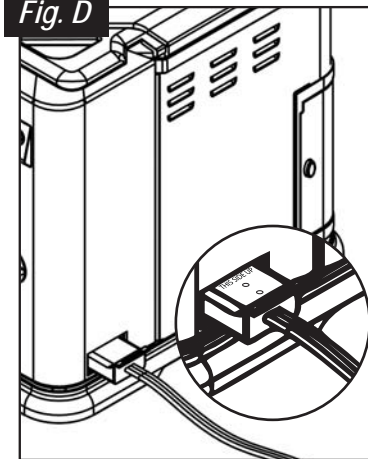


Fig. E

